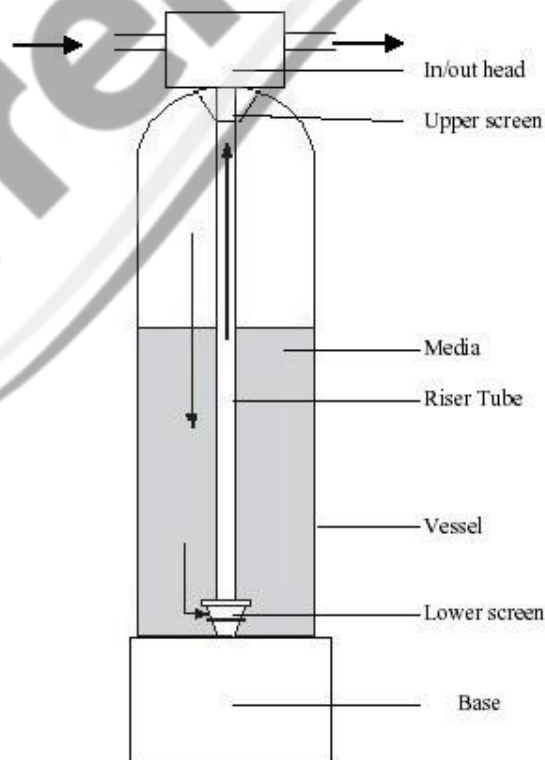


Instructions for Media Filling of vessels

- 1) Unscrew Head and remove.
- 2) Separate the Riser and Distributor Assembly from the head - Push fit with O ring seal - lightly greased with Silicone grease.
- 3) Place the riser tube assembly into the cylinder and cap the end with tape to stop media going down the centre.
- 4) Fill with media keeping the riser tube central to the opening.
- 5) Wash down threads and riser top with a little water.
- 6) Remove protective cover from the riser tube.
- 7) Place head over riser tube and press down so the riser tube goes smoothly into the head and the threads engage.
- 8) Screw all the way in and usually hand tight is enough to achieve a water tight seal.
- 9) Finish inlet and outlet connections ensuring that the flow direction is followed
- 10) For PH units only with manual in/out head. Direction of flow should be reversed
- 11) Ensure all media is flushed though until water runs clear



FOR PH Manual Units only, reverse the flow from that show in the illustration

Additional Information for Vessels used for PH Correction

To Achieve Reverse Flow for PH Units

1) Head with Refill Port

- a. Untreated water in to UPFLOW inlet
- b. Treated water out on DOWNFLOW Inlet



2) Head with Standard in/out head

- a. Untreated water in to OUT Port
- b. Treated water out to IN port

